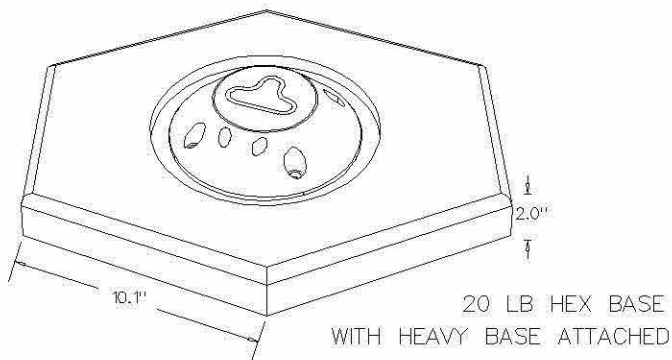
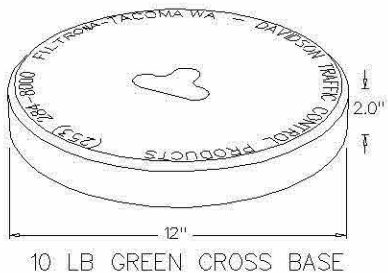
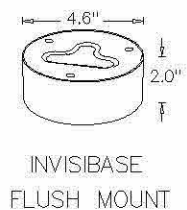
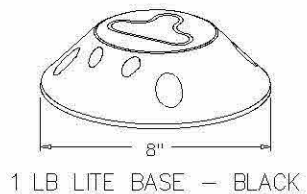
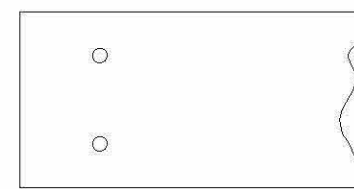
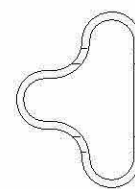
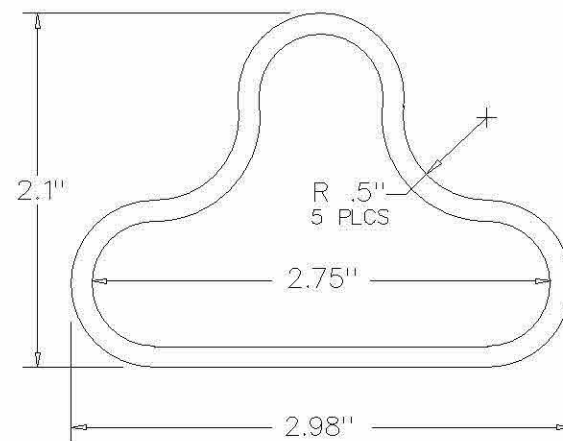
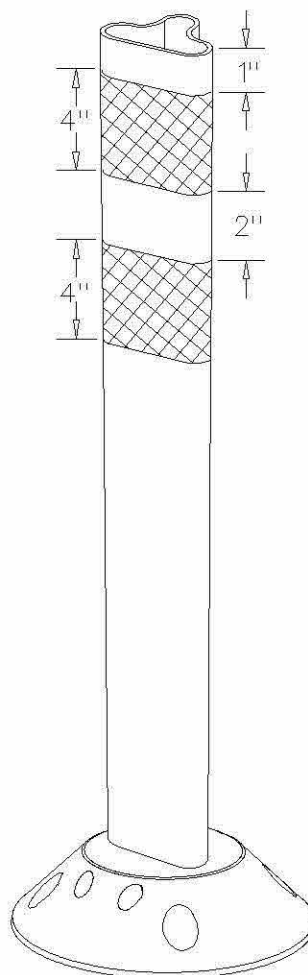


BASE OPTIONS:



SHOWN WITH TYPICAL
REFLECTIVE TAPE APPLIED



MODEL
UR

MATERIAL: POLYURETHANE

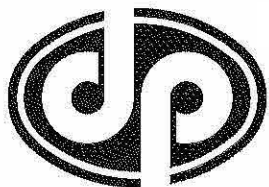
PART NAME

FG300 MODEL UR

DEPT. HEAD

ENGINEERING MANAGER

DATE



"Creating Products to Save Lives"

TRANSAFE, INC. --- 770.962.2222

DATE

02/25/06

DRN BY

DB~

LAST REV.

A 02/25/06

www.transafeproducts.com